



AX16CL/AX8CL FLOOR STAND

CODE: KPTFAX16CL

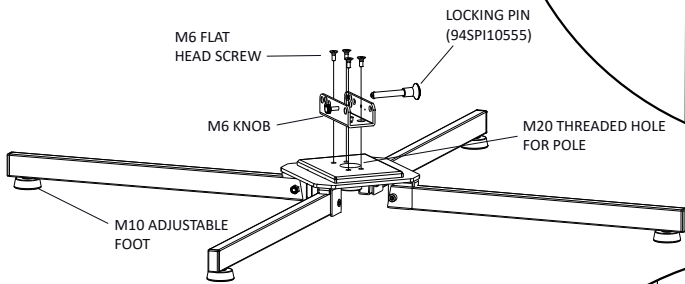
Assembly Instructions

- 1 - Remove the knob (A) from column and screw it in the base, loosen the knob (E).
- 2 - Place the first column (B).
- 3 - Insert the front pin (C).
- 4 - Insert the rear pin (D) in the desired aiming position.
- 5 - Tighten the knobs (A) and (E).

ASSEMBLY SEQUENCE

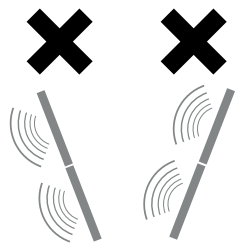
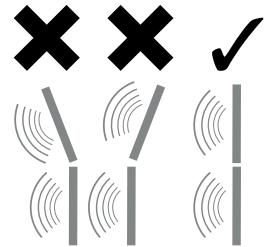
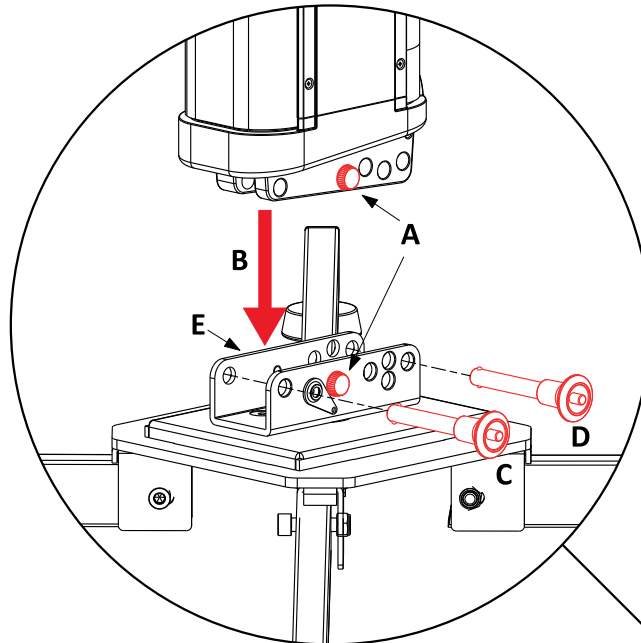
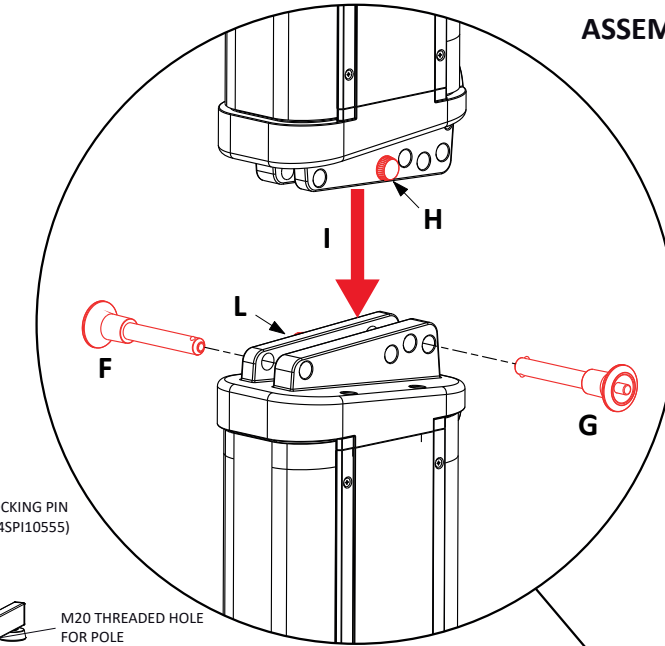
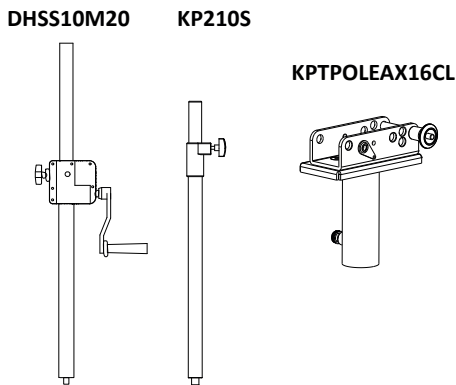
- 6 - Loosen the knobs (H) and (L).
- 7 - Place the second column (I).
- 8 - Insert the front pin (F).
- 9 - Insert the rear pin (G) in the desired aiming position.
- 10 - Tighten the knobs (H) and (L).

SUPPLIED MATERIALS



Check AX16CL/AX8CL User's Manual for additional instructions and installation examples.

OPTIONAL ACCESSORIES



CONDITIONS OF USE

Proel do not accept any liability for damage caused to third parties due to improper installation, use of non-original spare parts, lack of maintenance, tampering or improper use of this product, including disregard of acceptable and applicable safety standards. Proel strongly recommends that this loudspeaker cabinet be suspended taking into consideration all current National, Federal, State and Local regulations. The product must be installed by qualified personnel only. Please contact the manufacturer for further information.

WARNINGS:

- The ground where the KPTFAX16CL floor stand is placed needs to be stable and compact.
- Adjust the feet so to put the KPTFAX16CL perfectly horizontal. Use a spirit level to obtain the best result.
- Always secure ground stacked setups against movement and possible tipping over.
- A maximum of 2 x AX16CL or 4 x AX8CL or 1x AX16CL + 2x AX8CL speakers are allowed to be installed over a KPTFAX16CL serving as ground support.
- A maximum of 1 x AX16CL or 2 x AX8CL speakers are allowed to be installed over a KPTFAX16CL with pole serving as ground support.
- When 2 column units are stacked both must be setup with 0° aiming.

This drawing is the exclusive property of PROEL S.p.A. and cannot be reproduced without prior authorization.